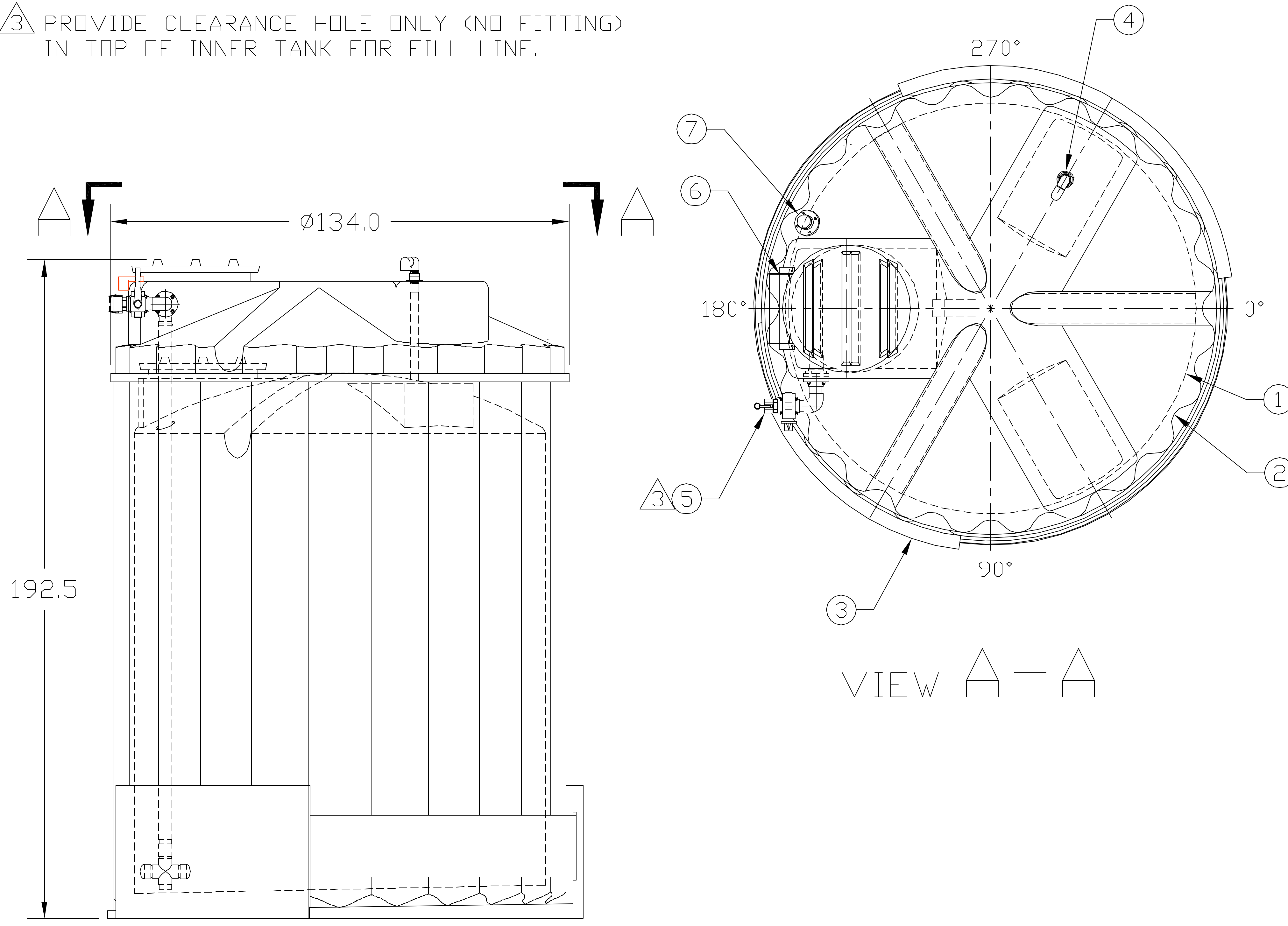


NOTES:

1. ALL GASKETS TO BE VITON.
2. ATTACH ALL FLANGES TO TANK W/ALLOY C-276 BOLTS.

③ PROVIDE CLEARANCE HOLE ONLY (NO FITTING) IN TOP OF INNER TANK FOR FILL LINE.



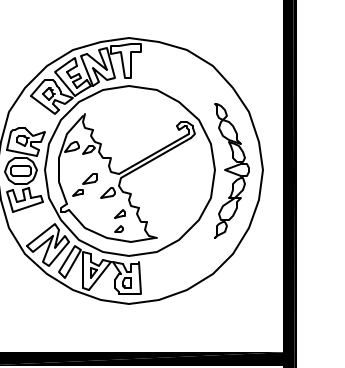
QTY	PART OR IDENT NO.	NOMENCLATURE OR DESCRIPTION	FIND NO.
1	R625	TANK, 6900 GAL HVY WALL (1.65 SP GR) BLACK	1
1	R1245	TANK, FLUTED CONTAINMENT BLACK	2
1	R1246	PAD, 12' W/FLUTED EARS & 18" SKIRT	3
1	3269/ 6195/ 6200/ 6195	U-VENT, 2" W/FULL NIP FITTING, (2) T X S CPLG, 2" PIPE SIZE FLEX HOSE, HALF NIP FITTING, PVC	4
1	SPCL	INLET ASSY, 3" W/CAM-LOCK & CAP, BUTTERFLY VALVE, (1)150# THD FLANGES, (3)150# SLIP FLANGES, 90° S X S EL, 90° S X T EL (3) NIPPLES, (2) HOSE BARBS, FLEX HOSE, (1) CLAMP, SLIP CROSS, (2) NIPPLES W/CAPS, (2) NIPS, (1) S X T CPLG	5
1	SPCL	LADDER BRACKET W/ALLOY C-276 BOLTS	6
1	2083/ SPCL	FLANGE, 3" 150# PVC W/ALLOY C-276 BOLTS & 3" NPT PLUG	7
1		LANYARD, SST (PRIMARY TANK MANWAY ONLY)	8

DATE: 8-26-04
 SCALE: NTS
 DESIGNED:
 CHECKED: S.HERNANDEZ
 DRAWN: S.HERNANDEZ
 SHEET: D

**6900 GALLON TANK
 W/ CONTAINMENT**

6900 GALLON SECONDARY
 CONTAINMENT TANK

**Rain For Rent
 Engineering**
 3404 STATE ROAD PO BOX 2248 BAKERSFIELD CA 93303



ALL INFORMATION CONTAINED IN OR DISCLOSED BY THIS DOCUMENT IS THE PROPERTY OF RAIN FOR RENT. ALL DISCLOSURES OF DESIGN INFORMATION AND ALL SALES RIGHTS ARE EXCLUSIVELY RESERVED BY RAIN FOR RENT. INFORMATION TO OTHERS IS PROHIBITED WITHOUT THE WRITTEN CONSENT OF RAIN FOR RENT.

1 SHEET OF 1
 DRAWING NUMBER
 105233
 JOB NUMBER
 1030009