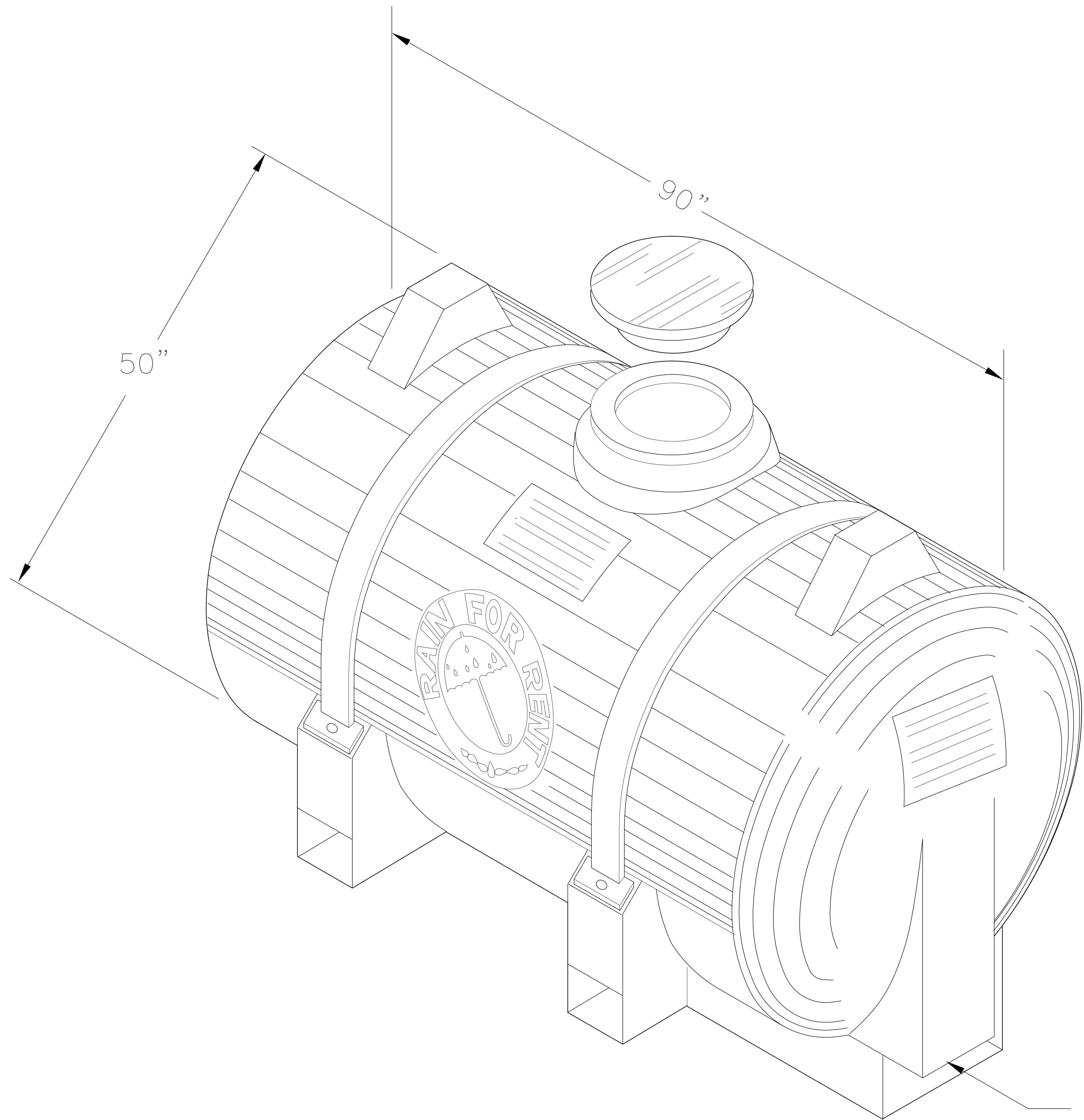


REV.NO.	DESCRIPTION	PREVIOUS DWG	BY	DATE

ITEM	QTY.	REF.	DESCRIPTION



2" Ballvalve Outlet (fipt)

DATE:	3-25-03
SCALE:	NTS
DESIGNED:	
CHECKED:	
DRAWN:	S.HERNANDEZ

PORTABLE STORAGE TANK

600 GALLON EZ KLEEN TANK
DETAIL

Rain For Rent Engineering
3404 STATE ROAD PO BOX 2248 BAKERSFIELD CA 93303



ALL INFORMATION CONTAINED IN OR REFERRED TO IN THIS DOCUMENT IS THE PROPERTY OF RAIN FOR RENT. ALL RIGHTS ARE RESERVED. REPRODUCTION AND REPRODUCTION OF THIS DOCUMENT WITHOUT THE WRITTEN CONSENT OF RAIN FOR RENT IS PROHIBITED.

1	SHEET	1
DRAWING NUMBER		
103424		
JOB NUMBER		
1030004		