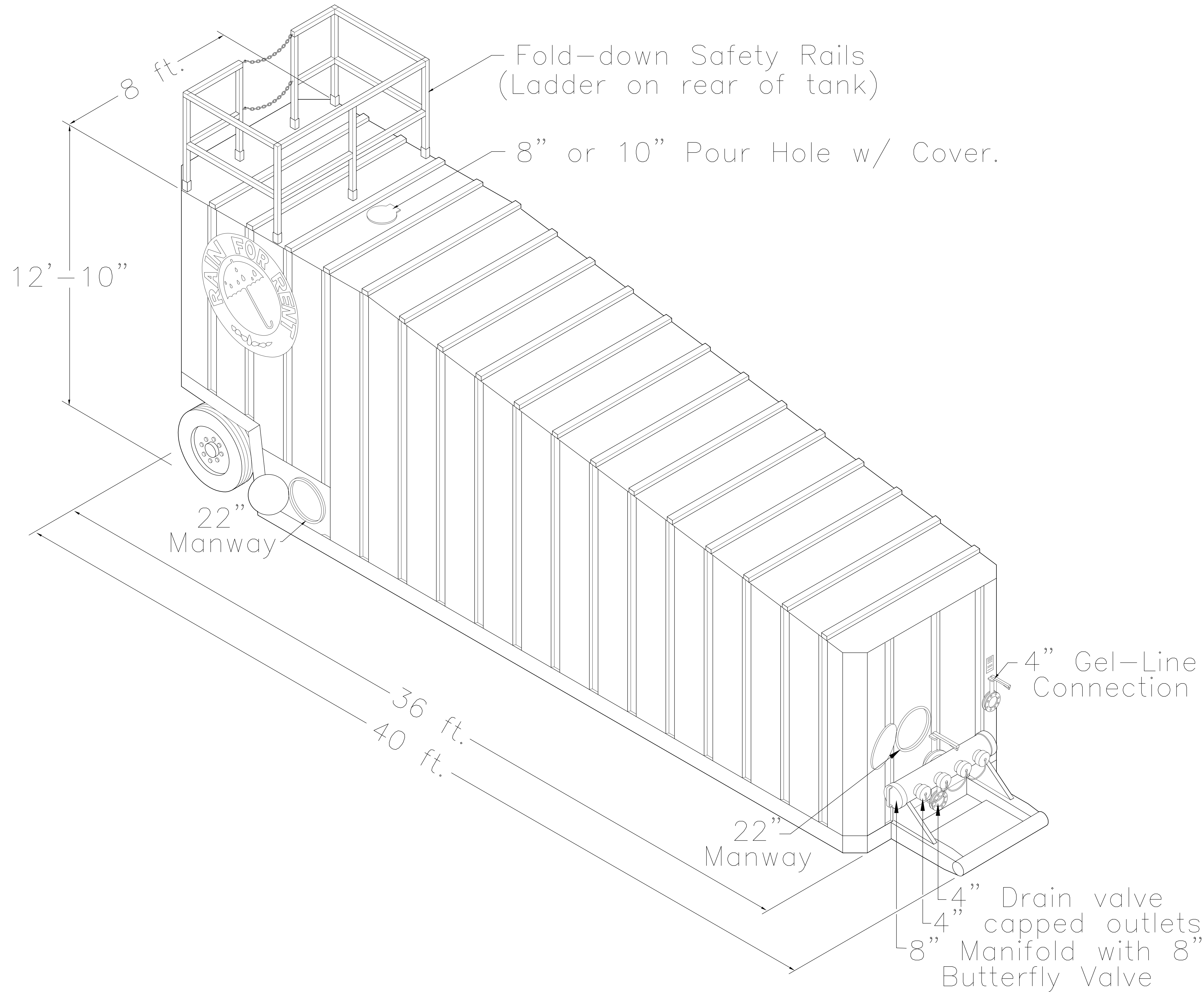


REV.NO.	DESCRIPTION	PREVIOUS DWG	BY	DATE

ITEM	QTY.	REF.	DESCRIPTION



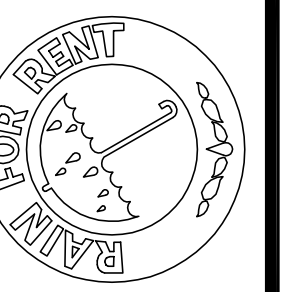
DATE:	3-25-03
SCALE:	NTC
DESIGNED:	
CHECKED:	
DRAWN:	S.HERNANDEZ

MANIFOLD TANK

21,000 GALLON STEEL MANIFOLD TANK

DETAIL

Rain For Rent Engineering
 3404 STATE ROAD PO BOX 2248 BAKERSFIELD CA 93303



ALL INFORMATION CONTAINED IN OR ON THIS DRAWING IS THE PROPERTY OF RAIN FOR RENT. ALL RIGHTS ARE RESERVED. REPRODUCTION AND REPRODUCTION OF THIS DOCUMENT WITHOUT THE WRITTEN CONSENT OF RAIN FOR RENT IS PROHIBITED.

1	SHEET	1
DRAWING NUMBER		
103420		
JOB NUMBER		
1030004		