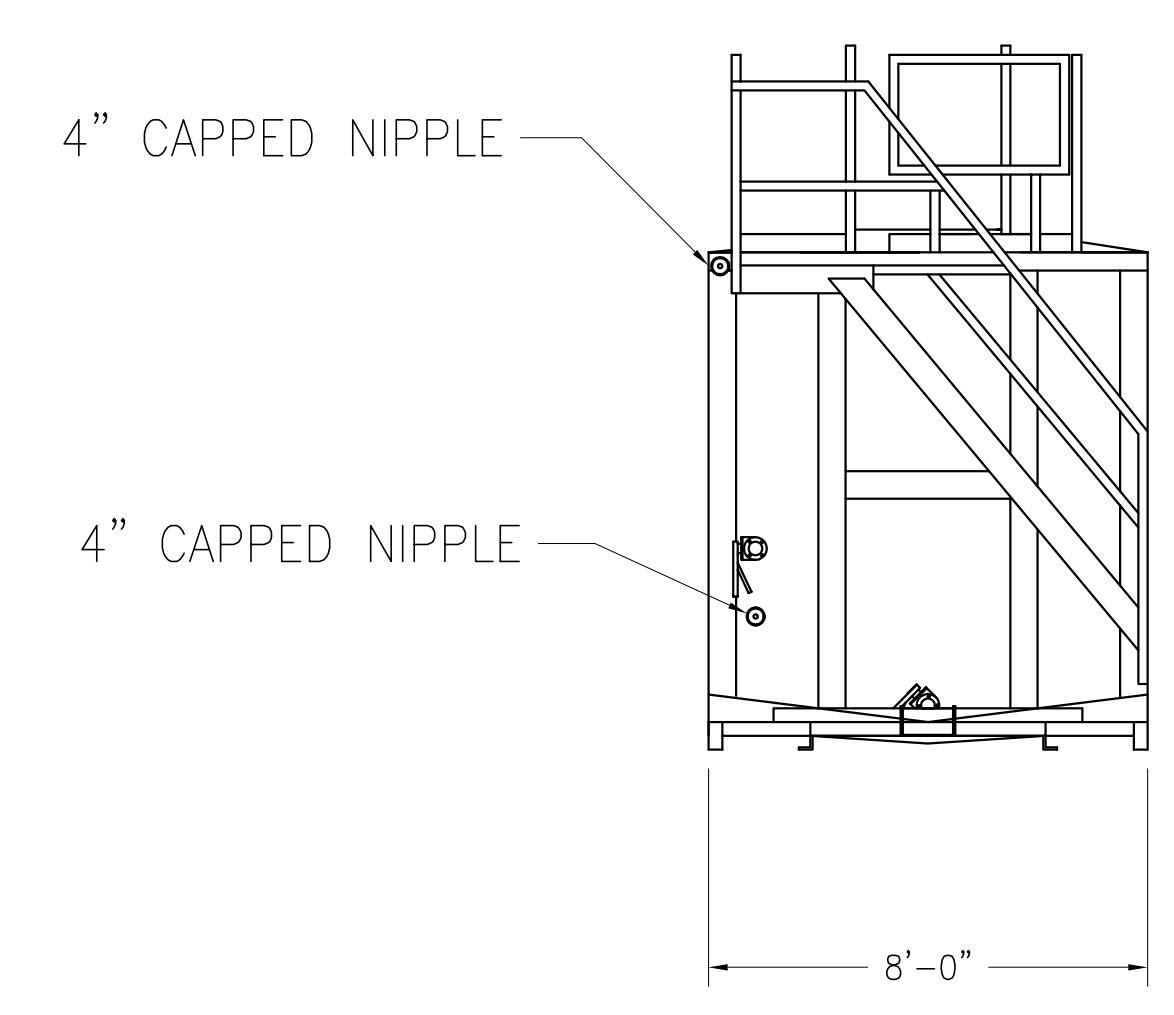
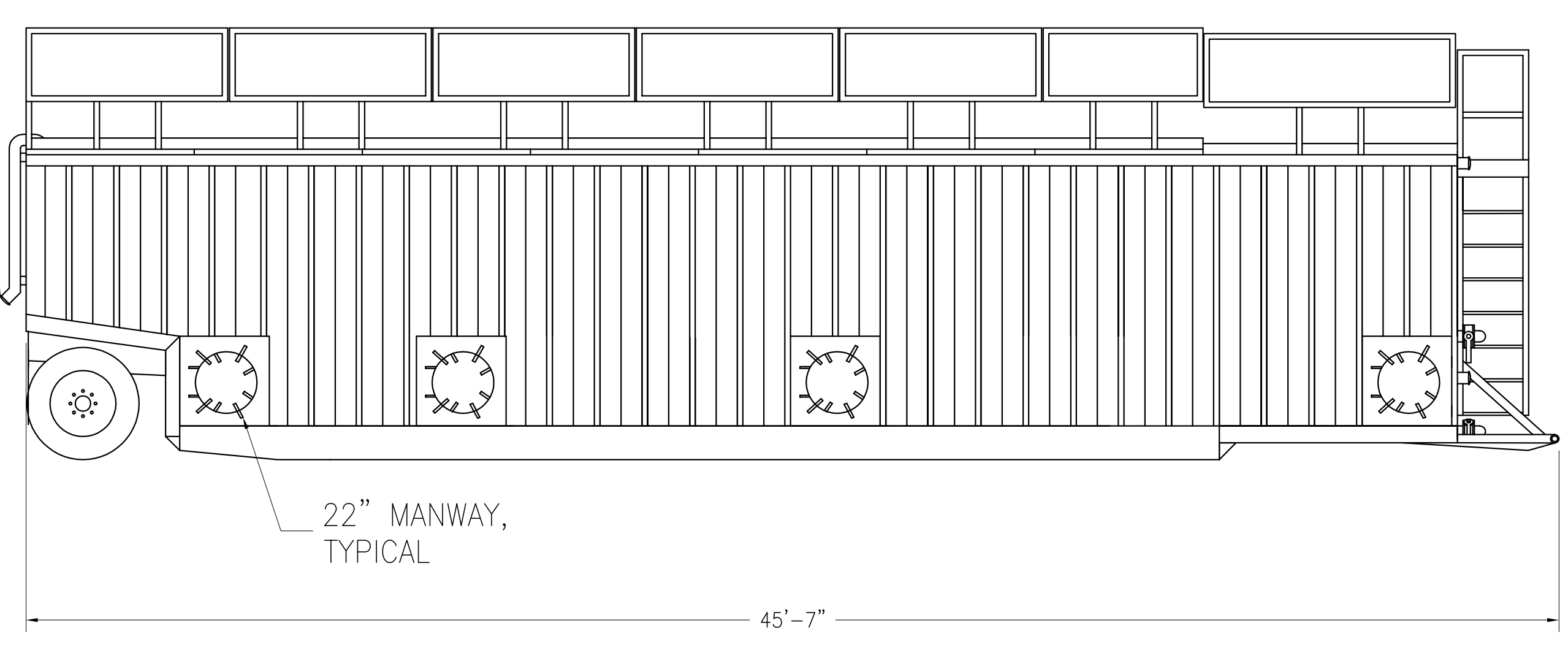
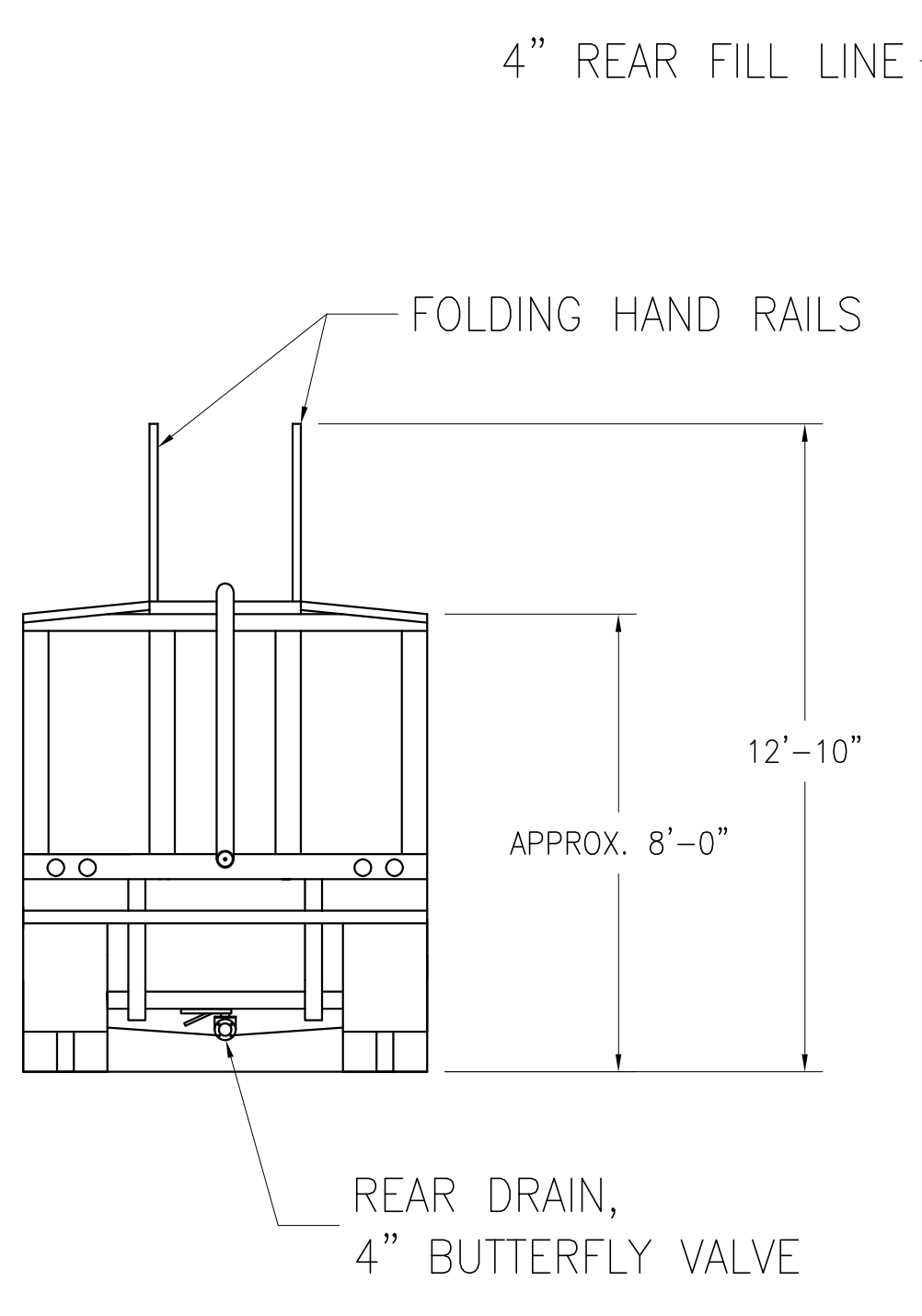
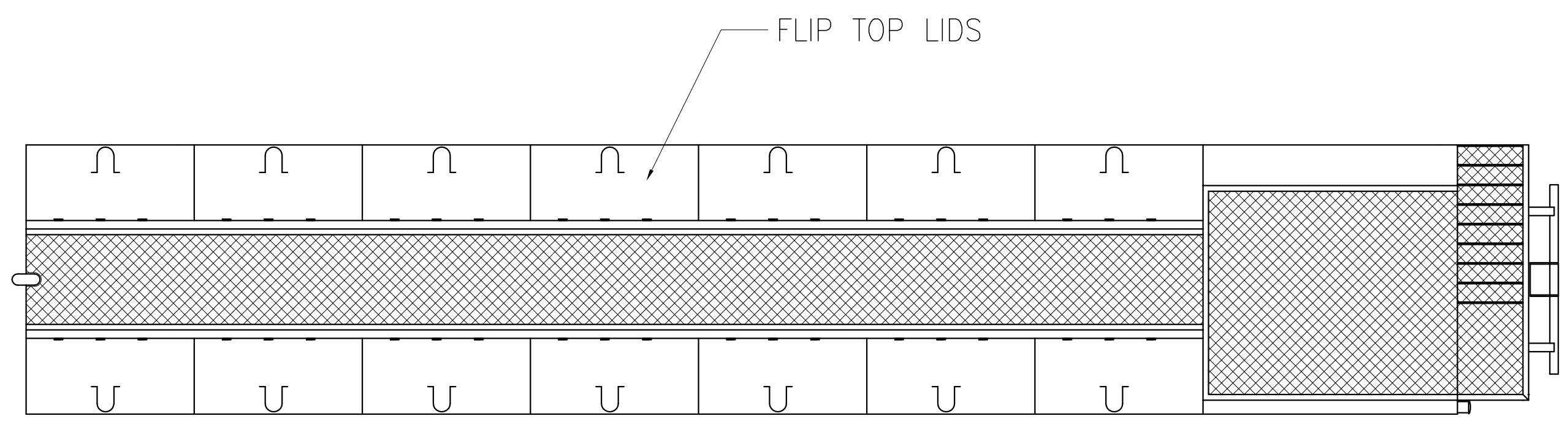
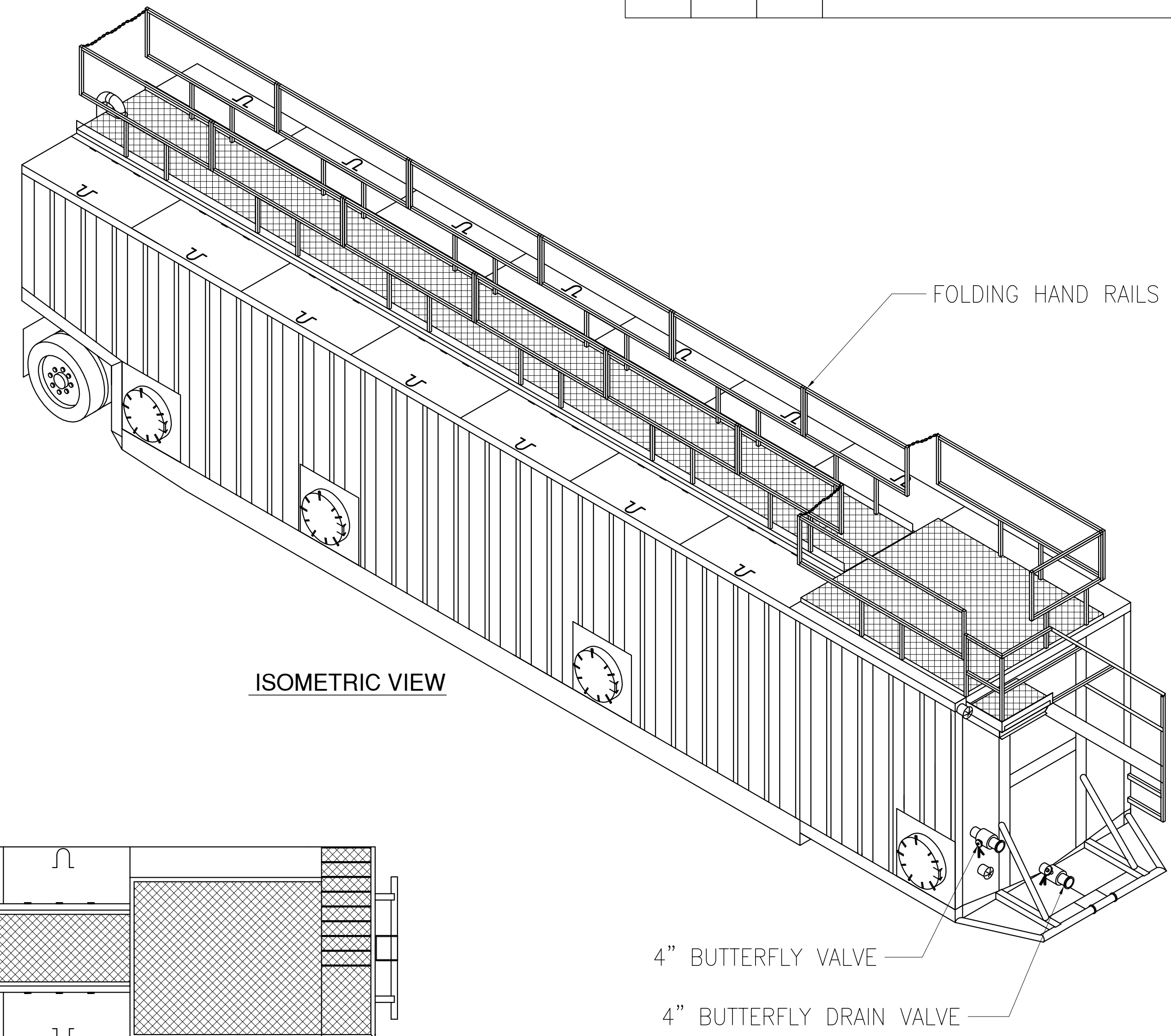


REV.NO.	DESCRIPTION	PREVIOUS DWG	BY	DATE

ITEM	QTY.	REF.	DESCRIPTION

Date	05-07-02
Scale	NTS
Designed	
Checked	K. MUSICK
Drawn	M. STEVENSON



FLIP TOP TANK

18,100 GALLON
FRONTIER STYLE TANK

Rain For Rent Engineering

3404 State Road PD Box 2248 Bakersfield Ca 93303

All information contained in this document is the property of Rain For Rent Engineering. It is to be used only for the project and location specified. All other uses are prohibited. All rights are reserved. No part of this document may be reproduced, stored in a retrieval system, or transmitted in any form or by any means, electronic, mechanical, photocopying, recording, or by any information storage and retrieval system, without the prior written consent of Rain For Rent Engineering.

1	Sheet of 1
Drawing Number	
102301	
Job Number	
1010710	