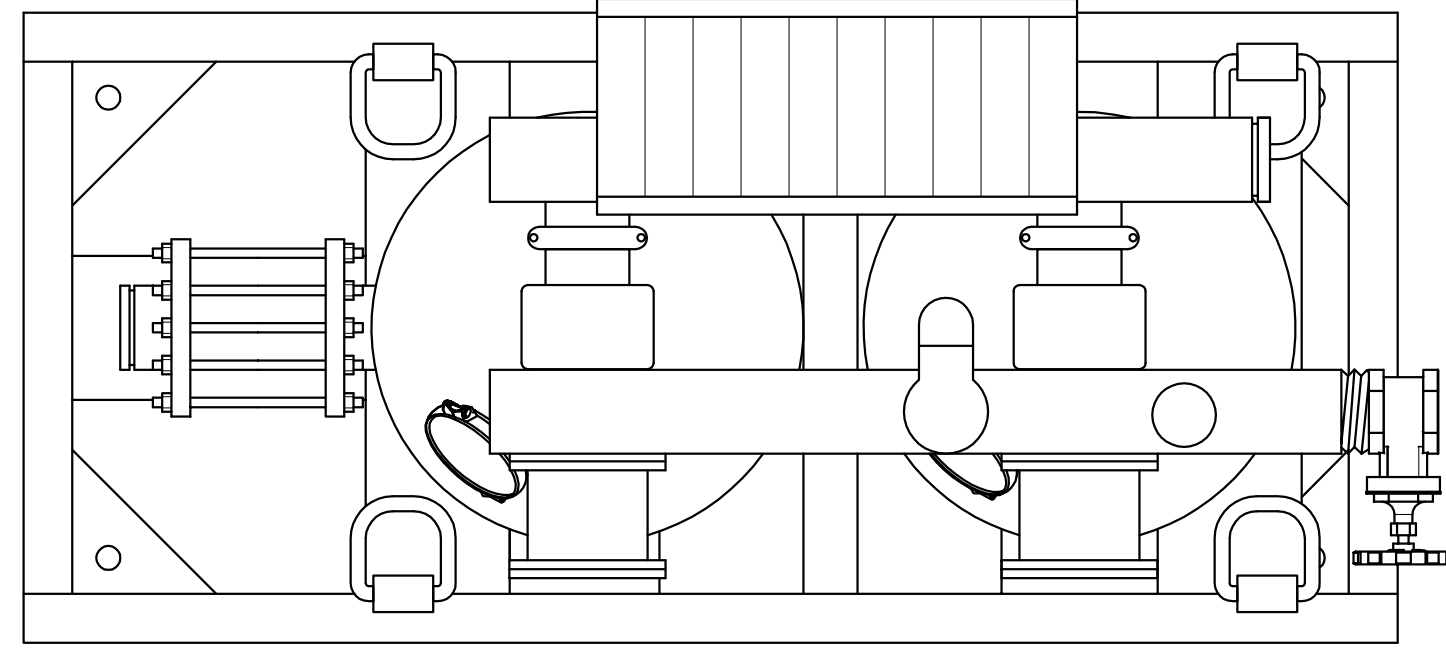
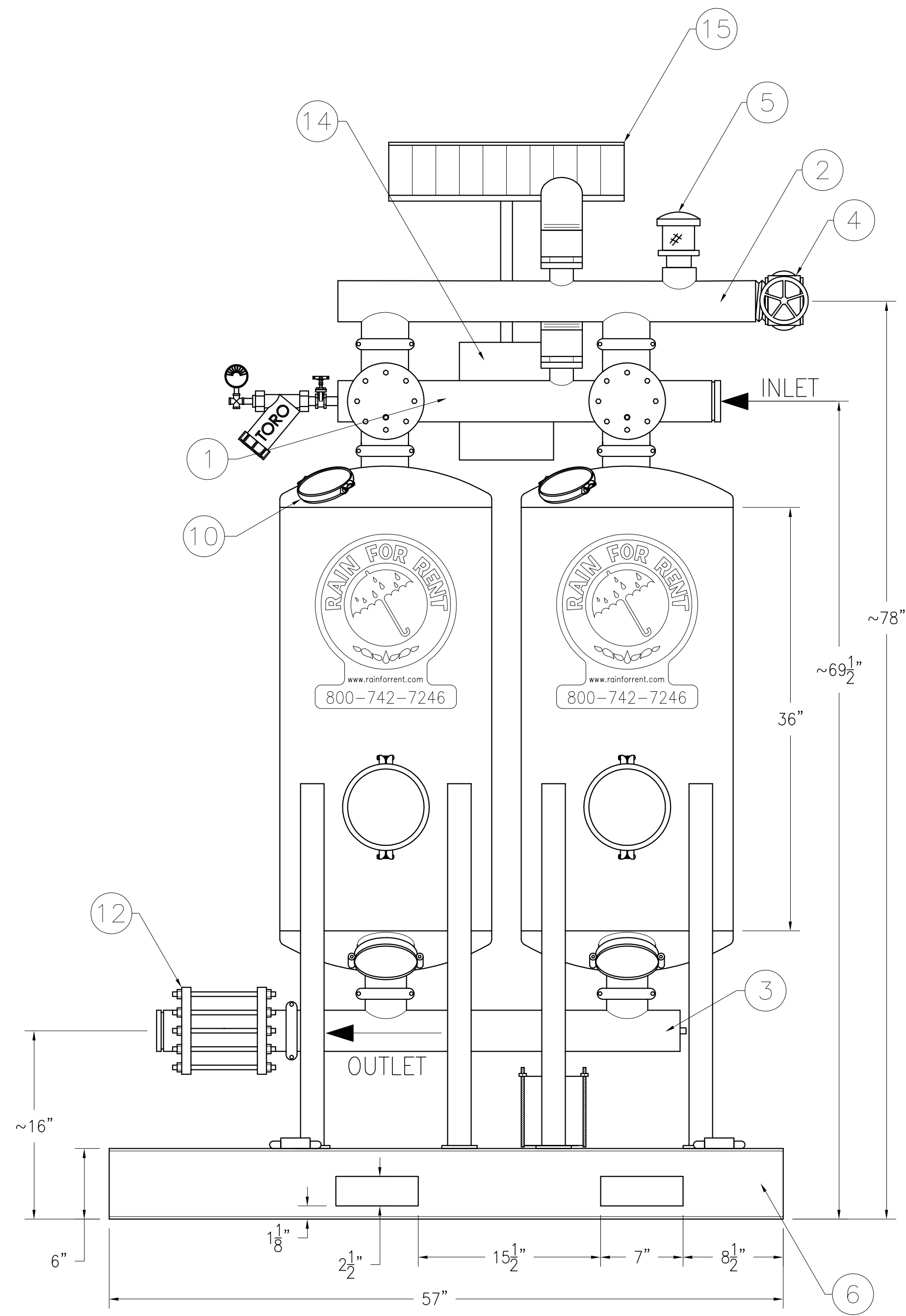


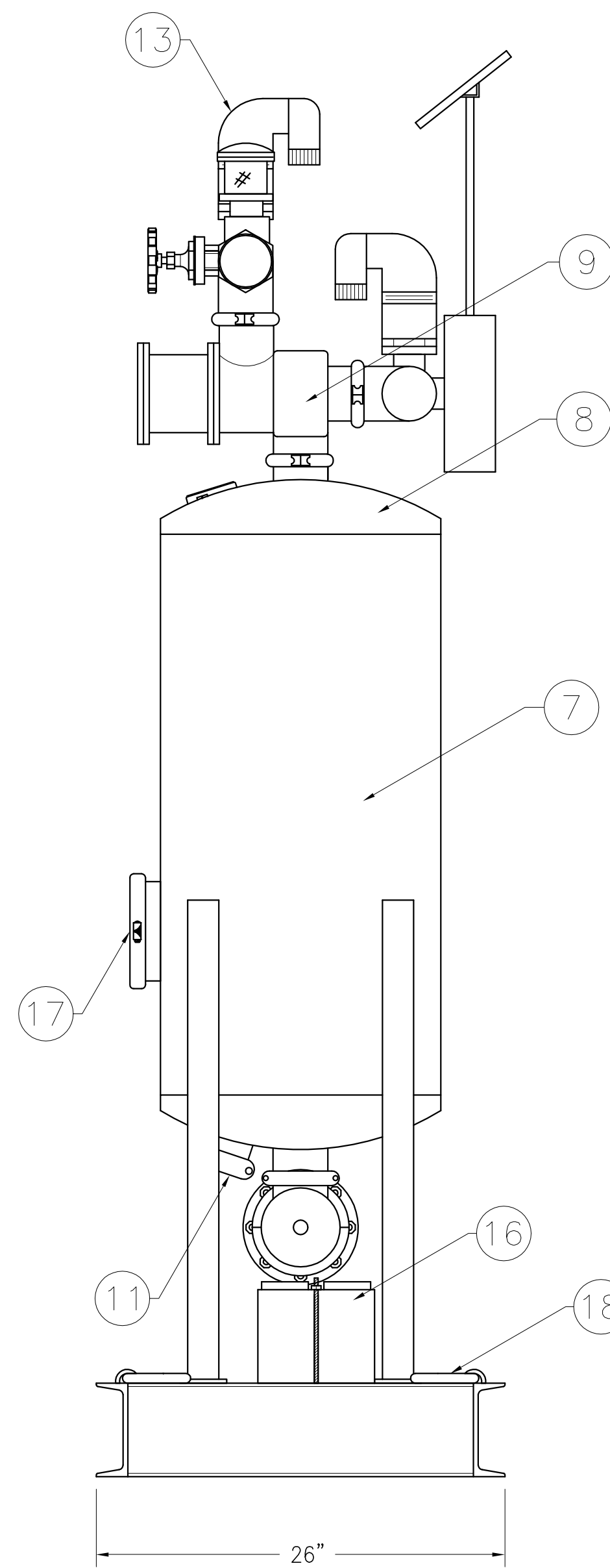
REV.NO.	DESCRIPTION	PREVIOUS DWG	BY	DATE
1	ADDED D-RING CALLOUT; ADDED EXTENDED DESCRIPTIONS FOR SOME ITEMS	102632	KM	09-26-02



PLAN VIEW



FRONT VIEW



SIDE VIEW

ITEM	QTY.	REF.	DESCRIPTION
1	1	-	3" INLET MANIFOLD, GROOVED END
2	1	-	3" BACKWASH MANIFOLD
3	1	-	3" OUTLET MANIFOLD, GROOVED END
4	1	-	3" GATE VALVE
5	1	-	1-1/2" ABF-20 SIGHT GLASS
6	1	-	6" X 26" X 57" SKID
7	2	-	18" O.D. X 36" H. TANK JACKET
8	4	-	18" O.D. TANK HEAD
9	2	-	3" TWO-WAY, THREE-PORT BACKWASH VALVE
10	2	-	4" GROOVED FILL PORT
11	2	-	4" GROOVED DRAIN PORT
12	1	-	3" NELSON 800 SERIES PRESSURE SUSTAINING VALVE
13	2	-	2" NELSON ACV 200 AIR VENT
14	1	-	94B-4 EVERFILT BACKWASH CONTROL PANEL
15	1	-	SOLAR PANEL
16	1	-	12V, U1 SIZE BATTERY
17	2	-	6" GROOVED SIDE MANWAY
18	4	-	ø5/8" WELD ON D-RING

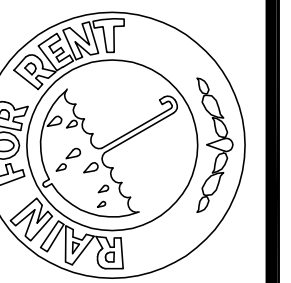
**18-2 FILTER UNIT
DEEP BED**

18-2 SAND

MEDIA FILTER

**Rain For Rent
Engineering**

3404 STATE ROAD PO BOX 2248 BAKERSFIELD CA 93303



ALL INFORMATION CONTAINED IN OR REFERRED TO IN THIS DOCUMENT IS THE PROPERTY OF RAIN FOR RENT. ALL RIGHTS ARE RESERVED. REPRODUCTION AND REPRODUCTION OF THIS DOCUMENT IS PROHIBITED WITHOUT THE WRITTEN CONSENT OF RAIN FOR RENT.

1 SHEET OF 1

DRAWING NUMBER

102632

JOB NUMBER

1020402

DATE: 08-06-2002
SCALE: 1:8
DESIGNED: EVERFILT
CHECKED:
DRAWN: M. STEVENSON